

UL-555 Classified Fire Damper

Type : Fire Damper
 Model : FD-GB-30-A/AS/B/BS/R
 Fire Rating : 30 Series: 3 hour
 Construction : Galvanized Steel (GI)

B-30 Series

UL- 555 Test Ratings

Fire Rating : 3 hrs.

Standard Construction

Frame

18 gauge (1.2 mm) thick galvanized steel.

Blades

Curtain type blade made of 22 gauge (0.8 mm) thick galvanized steel.

Fusible Link

165°F.

Blade Ramp

16 gauge (1.5 mm) thick galvanized steel angle.

Spring

0.3 mm thick by 19 mm wide, stainless steel constant force spring.

Mounting

Vertical

Sleeve

Minimum 0.7 mm, single section is field or factory installed.
 Multiple section is factory installed.
 Sleeve thickness as per NFPA table 3-4.6.3.

Optional Fittings

Retaining Angles

1½" x 1½" x 16 gauge (40 x 40 x 1.5) mm.

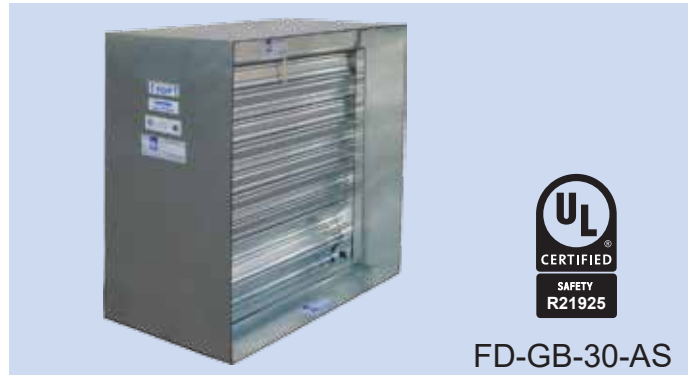
Limit Switches

For BMS open / close indication.

Transitions (R)

Neck adapter for round duct connections.

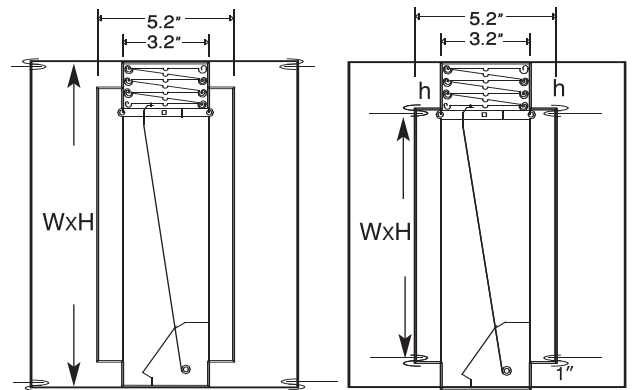
Standard Sizes Any Combination (W x H)			
W	H	h	Module
4"	4"	1"	Single
10"	10"	1"	Single
12"	12"	1"	Single
16"	16"	1.5"	Single
20"	20"	2"	Single
24"	24"	2.5"	Single
30"	30"	3"	Single
36"	36"	3.5"	Single
39 ½ "	39 ½ "	3.5"	Single
72"	72"	3.5"	Multiple
144"	96"	3.5"	Multiple



FD-GB-30-AS

Model :FD-GB-30-A/AS/B/BS/R UL 555 Damper meets the required standards of SMACNA, NFPA, IBC, BOCA, ICBO, UL.

Sleeve Mounting Details



Blades in Air stream
FD-GB-30-AS

Blades above Air stream
FD-GB-30-BS


Model of Fire Damper FD-GB-30-A/AS/B/BS/R	
A	Blades in air stream
B	Blades above air stream
AS	Blades in air stream with sleeve
BS	Blades above air stream with sleeve
R	Round Spigot

Size Limitation		
Module	Size : Width x Height	Position
Single	Max X Max 30" x48"	V
Multiple	Max X Max 144" x 96"	V

Optional Construction (UL Certification N/A)

Frame : Stainless Steel 18 gauge (304/316L)

Blade : Stainless Steel 22 gauge (304/316L)



UL Classified (see mark on product)
 UL Classified to American/Intl safety standards
 UL Standard 555 (Listing # R21925)

Selected Products of the company have been Classified / Listed / Tested by various international testing authorities.

