

UL-555 Classified Fire Damper

Type : Fire Damper
Model : FD-GBD-30-AS/BS/R
Fire Rating : 30 Series: 3 hour
Construction : Galvanized Steel (GI)

B-30 Series

UL- 555 Test Ratings

Fire Rating : 3 hrs.
 Max Velocity : 2000 fpm (for Dynamic Systems)

Standard Construction

Frame

18 gauge (1.2 mm) thick galvanized steel.

Blades

Curtain type blade made of 22 gauge (0.8 mm) thick galvanized steel.

Fusible Link

165°F.

Blade Ramp

16 gauge (1.5 mm) thick galvanized steel angle.

Spring

0.33 mm thick by 19 mm wide, stainless steel constant force spring.

Mounting

Vertical

Sleeve

Minimum 0.7 mm, single section is field or factory installed.
 Multiple section is factory installed.
 Sleeve thickness as per NFPA table 3-4.6.3.

Optional Fittings

Retaining Angles

1½" x 1½" x 16 gauge (40 x 40 x 1.5) mm.

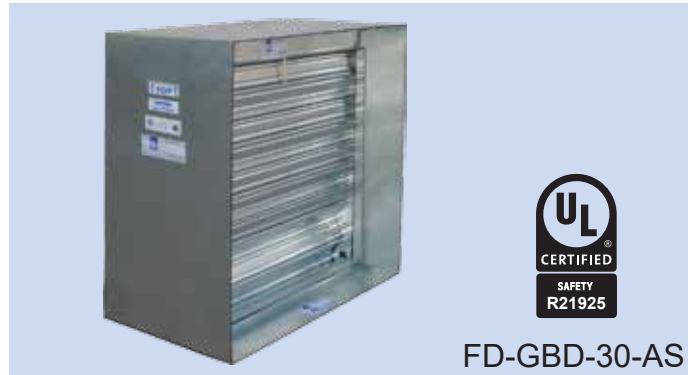
Limit Switches

For BMS open / close indication.

Transitions (R)

Neck adapter for round duct connections.

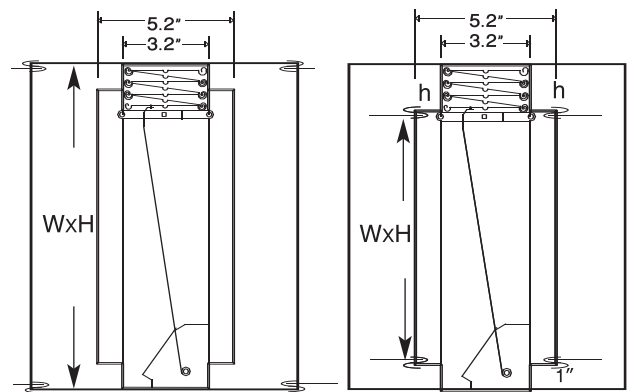
| Standard Sizes Any Combination (W x H) | | | |
|---|-----|------|--------|
| W | H | h | Module |
| 4" | 4" | 1" | Single |
| 10" | 10" | 1" | Single |
| 12" | 12" | 1" | Single |
| 16" | 16" | 1.5" | Single |
| 20" | 20" | 2" | Single |
| 24" | 24" | 2.5" | Single |
| 30" | 30" | 3" | Single |
| 36" | 36" | 3.5" | Single |



FD-GBD-30-AS

Model : FD-GBD-30-AS/BS/R UL 555 Damper meets the required standards of SMACNA, NFPA, IBC, BOCA, ICBO, UL.

Sleeve Mounting Details



Blades in Air stream
FD-GBD-30-AS

Blades above Air stream
FD-GBD-30-BS


| Model of Fire Damper FD-GBD-30-AS/BS/R | |
|--|-------------------------------------|
| A | Blades in air stream |
| B | Blades above air stream |
| AS | Blades in air stream with sleeve |
| BS | Blades above air stream with sleeve |
| R | Round Spigot |

| Size Limitation | | |
|-----------------|-----------------------|----------|
| Module | Size : Width x Height | Position |
| Single | Max X Max 36" x 36" | V |

Optional Construction (UL Certification N/A)

Frame : Stainless Steel 18 gauge (304/316L)

Blade : Stainless Steel 22 gauge (304/316L)



UL Classified (see mark on product)
 UL Classified to American/Intl safety standards
 UL Standard 555 (Listing # R21925)

Selected Products of the company have been Classified / Listed / Tested by various international testing authorities.