

Access Door - AD

Curved Duct Application

Model: AD-GB-31A/H; AD-GB-32A/H; AD-GB-33A/H

Door Thickness : 1-25*mm; 2-40mm; 3-50mm

A - Removable; AH - Hinged

Construction: Galvanized Steel (GI)

Standard Construction

Frame

0.9 mm thick galvanised steel.

Door

Double skin 0.9 mm thick galvanized steel internally insulated. Door thickness 25 mm.

Insulation

48 kg/m³ density rockwool.

Lock

Die cast Zinc plated steel Cam lock.

Gasket

3 mm thick Neoprene Gasket.

Handle

Galvanized steel handle.

Flange

Curved plain edge type flange.

Optional Construction

Door

Double skin 0.9 mm thick galvanized steel internally insulated. Door thickness 40 / 50 mm.

Hinges

One side Continuous hinges.

Glass window

Square transparent glass window.

Security chain

Galvanized steel chain.

Frame and Door Material

Stainless steel (304/316L)

B-30 Series Model Details				
Material Construction				
Model	Frame		Door	
	Material	Thick	Material	Thick
AD-GB-31/32/33-A / AH	GI	0.9mm	GI	0.9mm
AD-SB-31/32/33-A / AH	SS	0.9mm	SS	0.9mm

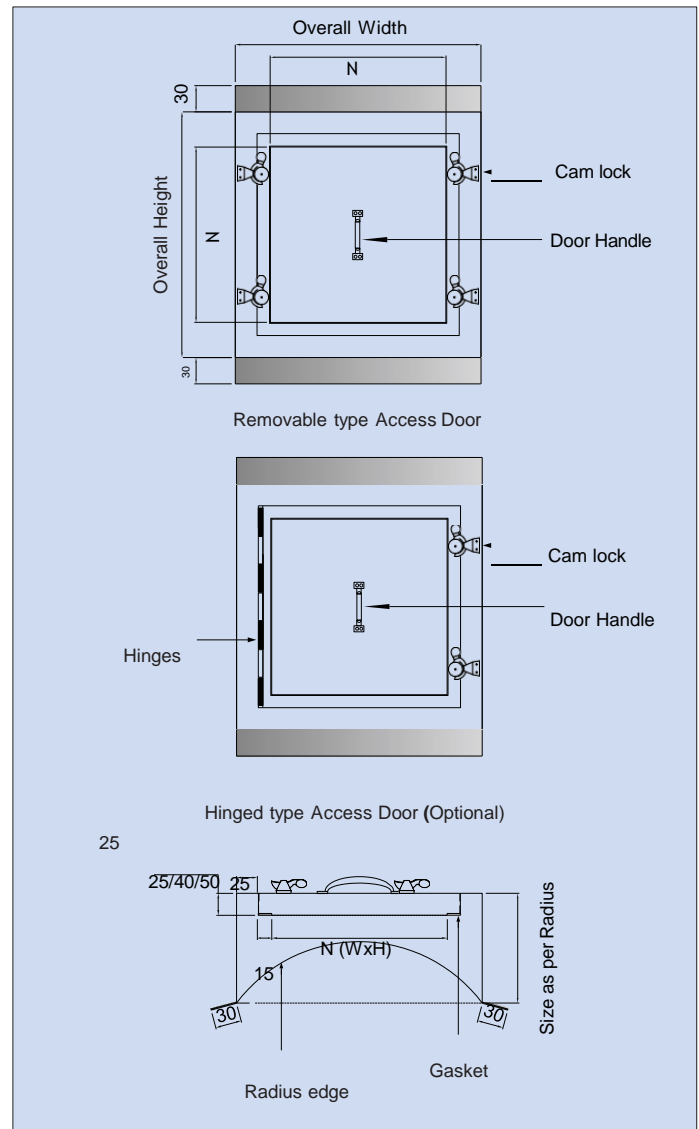
Note :

Please contact **BETEC CAD**. for customized design & specifications.

Selected Products of the company have been Classified / Listed / Tested by various international testing authorities.



B-30 Series



Note:

N = Neck size (W x H)

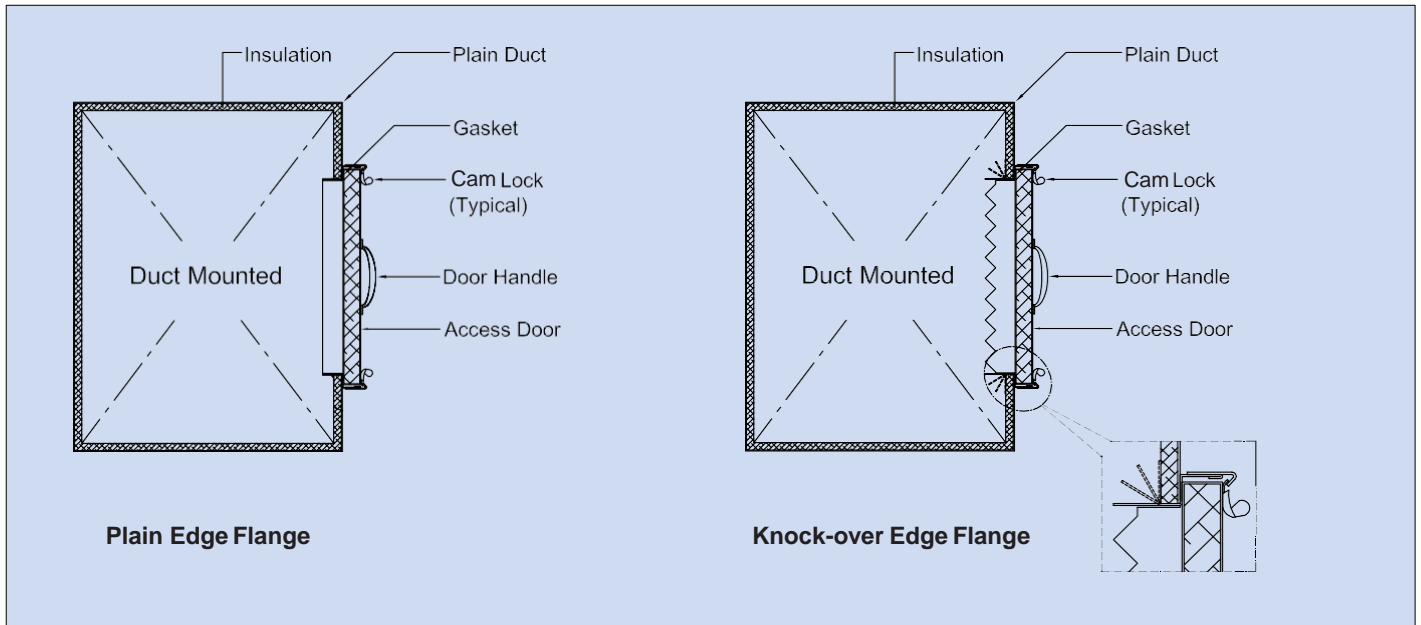
W = Neck width + 80 mm = Overall size

H = Neck Height + 80 mm = Overall Size

Any Combination of W x H										
Width in (mm)	100	150	200	250	300	350	400	450	500	600
Height in (mm)	100	150	200	250	300	350	400	450	500	600

Application

- Suitable for installation on curved surface air ducts and can be installed easily on site works.
- The insulated double wall construction will act as a barrier for leakage of air as well as for transfer of heat.
- Suitable for insulated or uninsulated ducts.

Access Door
B-10/20/30 Series
Installation Details

Ordering Data

Access Door													
↑	↑	G	Galvanized Steel										
		S	Stainless Steel										
	↑	↑	G	Galvanized Steel									
			S	Stainless Steel									
	↑	↑	↑	↑	B	BETEC CAD.							
					10	Series							
					20	Series							
					30	Series							
					↑	↑	↑	↑	1	25 mm			
									2	40 mm			
3	50 mm												
↑	↑	↑	↑	↑	A	Removable Type							
					AH	Hinged Type							
AD	X	X	B	X		X	AD-GB-11A						
	Frame Material	Door Material	B	Series	Door Thickness Series	Door Type							

Note :

1) For door thickness, add Series to Door Thickness Series.
For example: AD-GB-(10+1=11) A => AD-GB-11A.

2) If frame and door material is same, use single alphabet.
Example : AB-GB-11A where G = Galvanized frame and door.

Selected Products of the company have been Classified / Listed / Tested by various international testing authorities.